



SmartDispenser®

21st Century Dispensing



**Push-To-Connect
Linear Drive System
&
The Janome JR2000N
Benchtop Robot**

FISHMAN®



21st Century Dispensing

TABLE OF CONTENT

| | | | |
|-----------------------------------|----------|--|-----------------------------|
| | 3 | Why is the Fishman – Janome Combination Superior? | |
| Stabilized Drive System | 4 | 5 | Quantified Data |
| Quick And Easy Programming | 6 | 7 | Set It And Forget It |
| The Result | 8 | 9 | Out Of The Box |



21st Century Dispensing

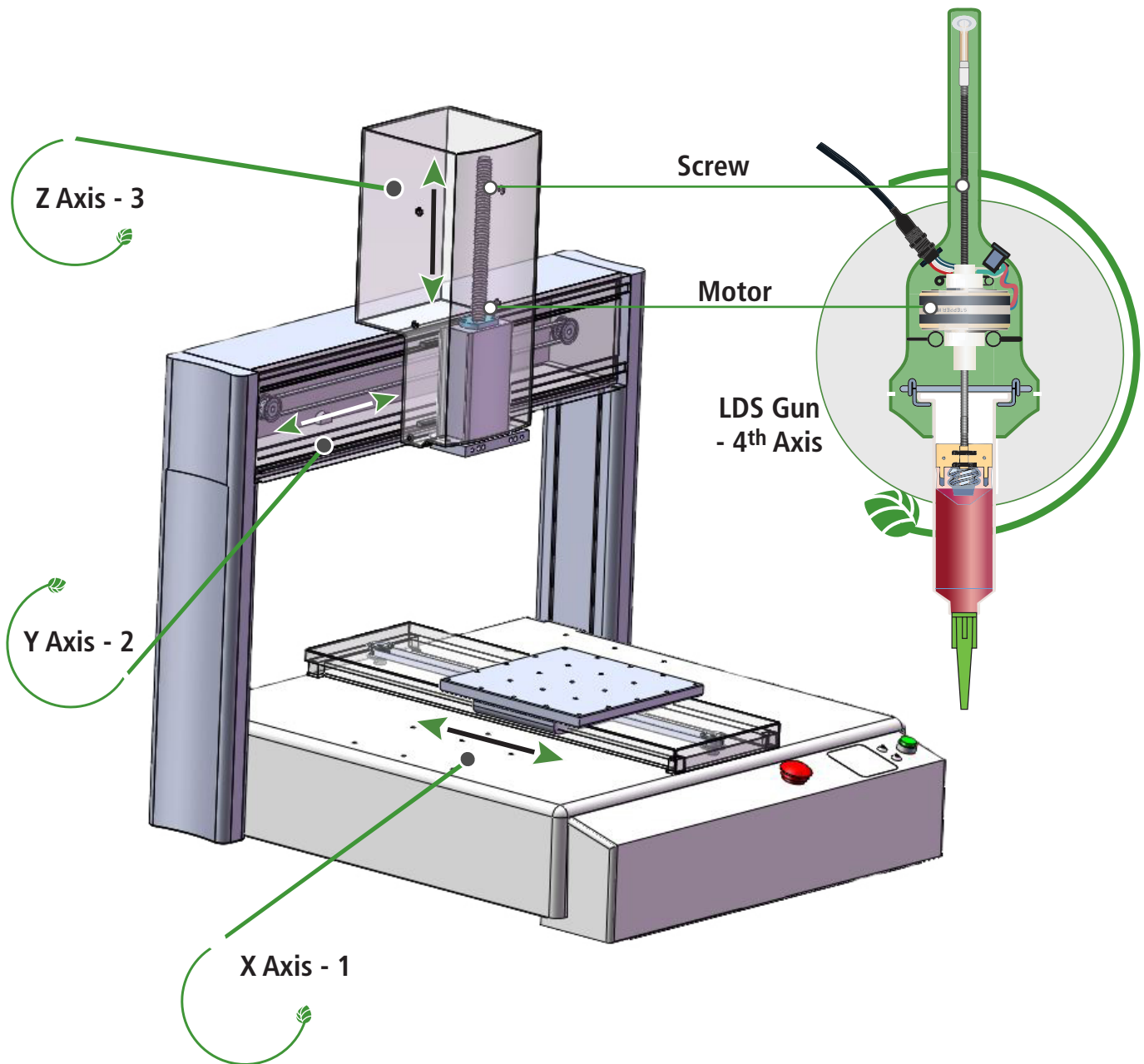


AirFree® Technology and The Janome JR2000N Benchtop Robot

5 Reasons Why the Fishman/Janome Combination is Superior.

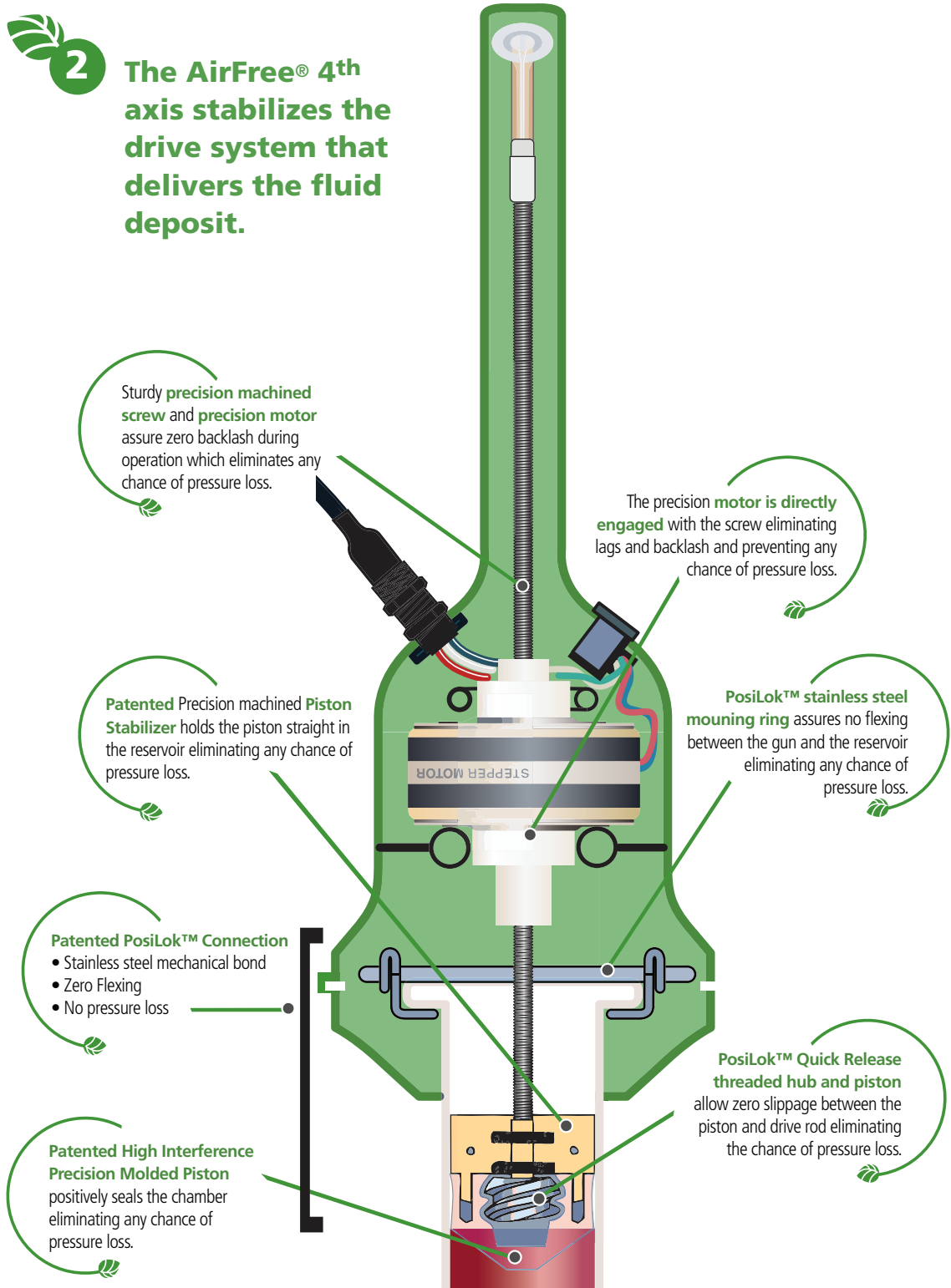
1

Fishman's AirFree® Linear Drive System acts as a 4th axis on the 3 axis Janome Platform. The construction of an AirFree® Linear Drive System is very similar to the construction of a Janome robot axis. A precision lead screw and motor operating at a known speed and highly repeatable.



5 Reasons Why the Fishman/Janome Combination is Superior.

Stabilized Drive System

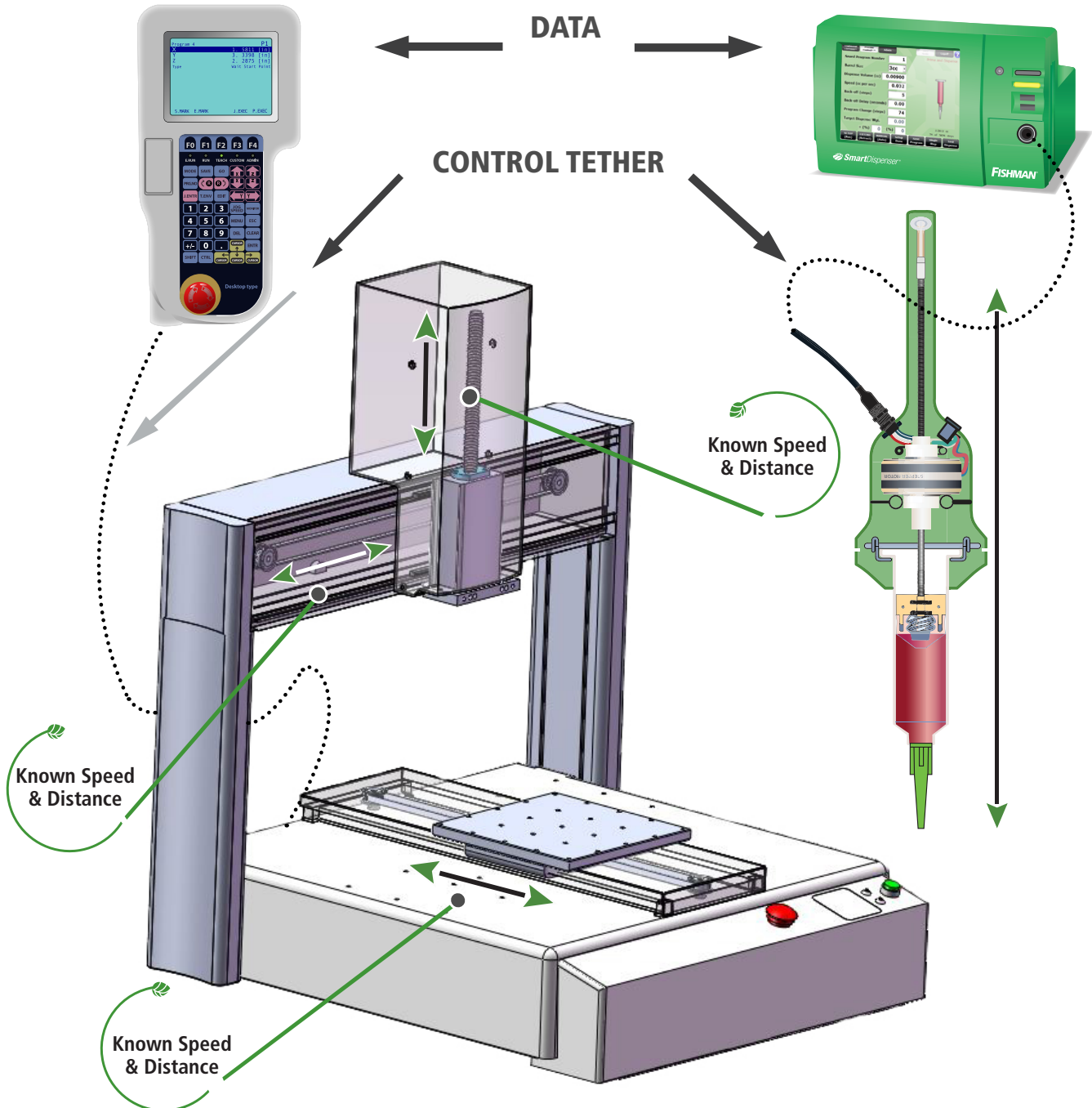


5 Reasons Why the Fishman/Janome Combination is Superior.

Quantified Data



Both allow quantified data for programming to be sent via an electric control tether to control movement making it easier to coordinate speed and distance between axes.

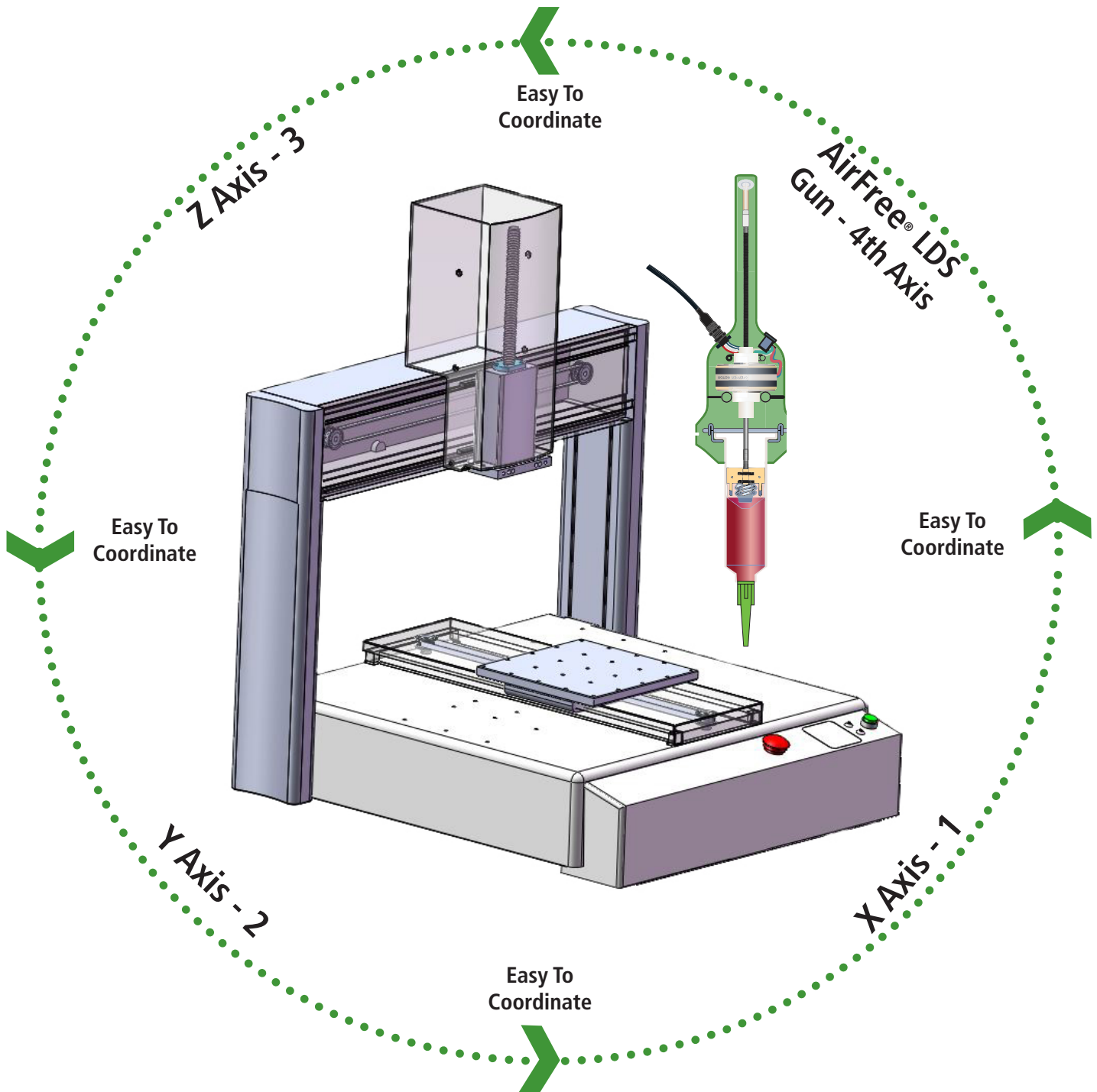


5 Reasons Why the Fishman/Janome Combination is Superior.

Quick And Easy Programming



Quantified data with a precision motor and screw axes make programming quick and easy.



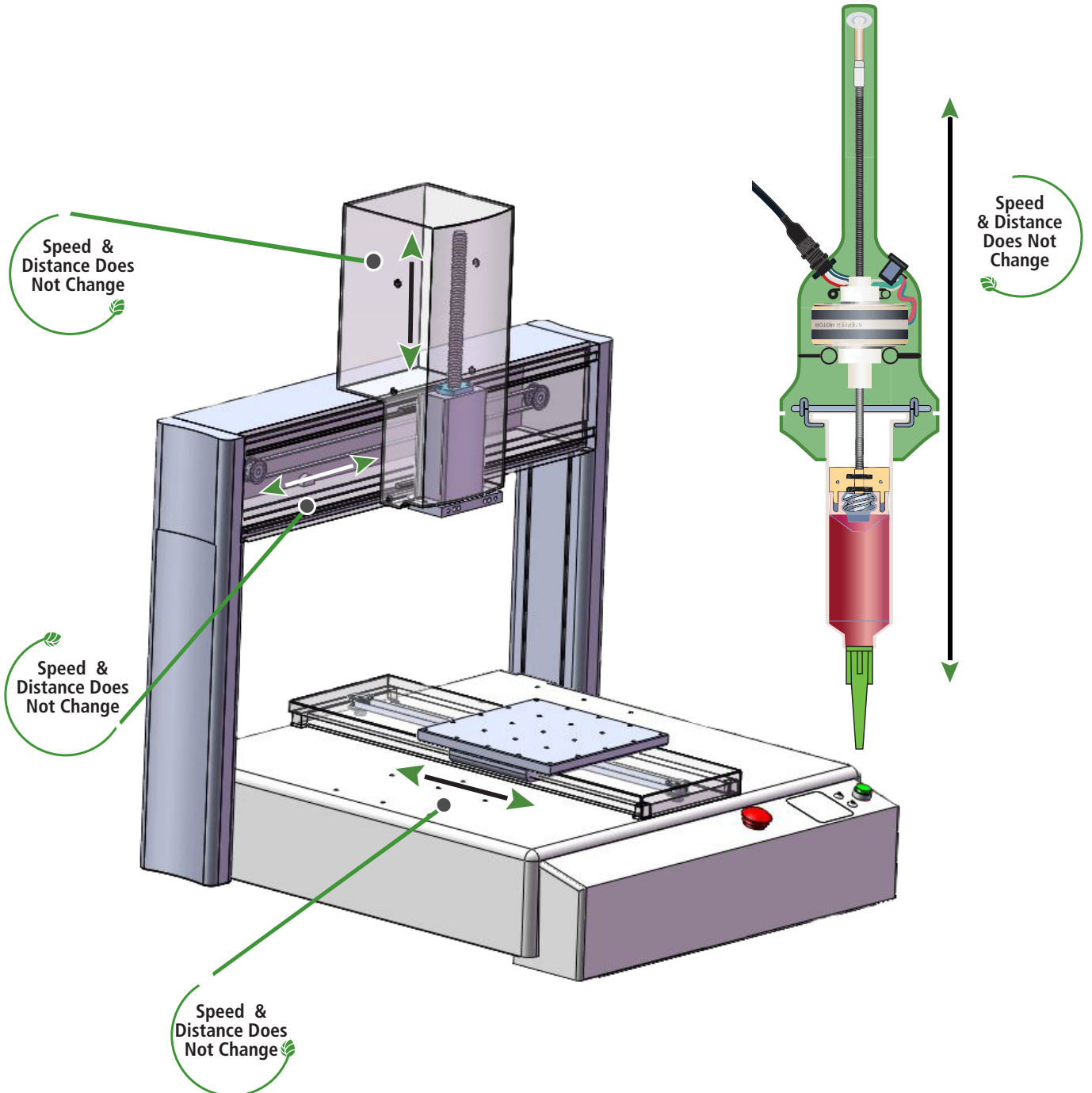
5 Reasons Why the Fishman/Janome Combination is Superior.

Set It and Forget It



All axes are locked in.

- Programmed speed does not change.
- Programmed distance traveled does not change.



The Result

🌿 Outstanding Process Control

- Reduction of manufacturing cost saves millions.

🌿 Lower Deployment Costs

- Programming times and installation reduced.

🌿 Global Standardization – Best performance

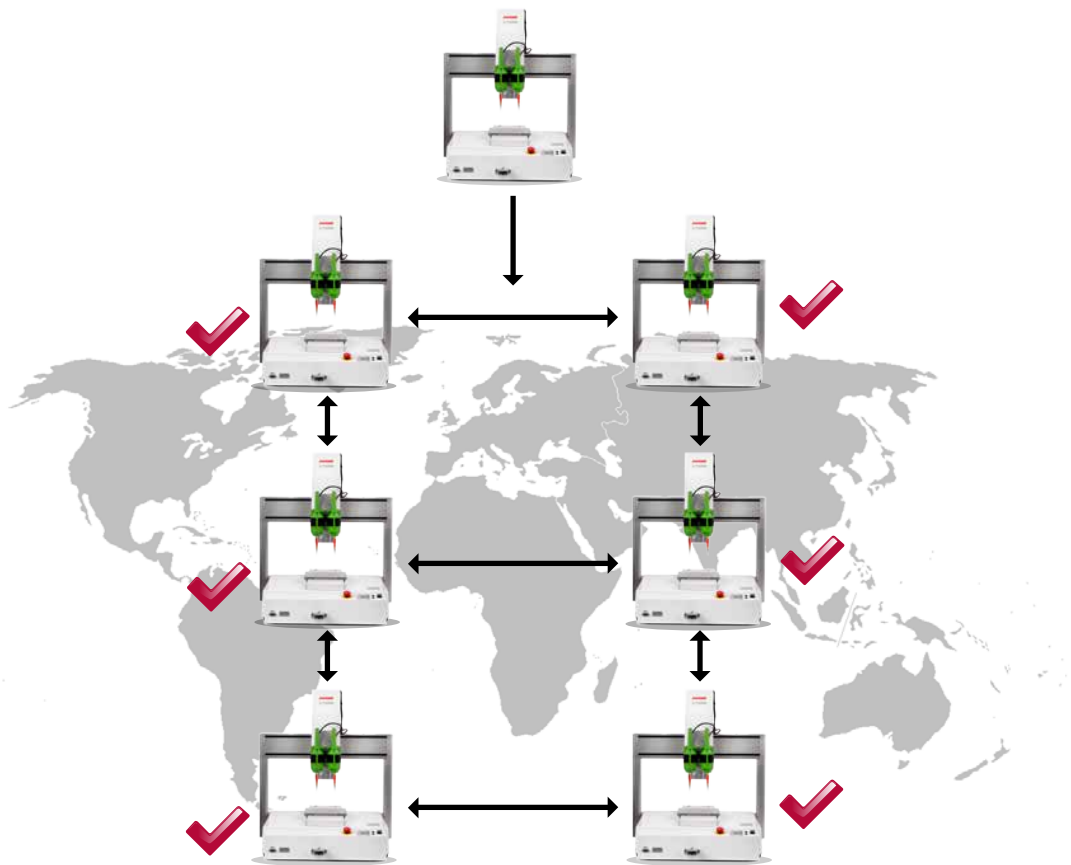
- Every robot performs exactly the same from station to station.
- Every robot performs identically, manufacturing facility to manufacturing facility.

🌿 Lowest Cost of Ownership - Green Advantage

- 100% electrically powered.
- Air compressors are the most expensive piece of equipment in a production facility and a major contributor to green house gasses.
- Lower carbon footprint.

🌿 Attractive Return on Investment

- Fishman's SmartDispenser® provides the most profit over the life of the system than any other fluid dispenser.




Performance Does Not Change

The AirFree® Difference - Why buy from Fishman® over other Janome robot providers?

- No one else has AirFree® Technology.
- We pre-program your robot *free of charge*.
- We will drastically lower your deployment costs.

Fishman® Corporation is the only Janome Distributor who can pre-program your robot free of charge at the Fishman® factory drastically lowering your deployment costs thanks to the exact replication provided by AirFree® Technology.

At Fishman® we believe your time should be spent building your product not programming ours.

 You simply take the system out of the box, power up and start dispensing.





SmartDispenser®

Meets applicable CE requirements.

Janome Data Sheet | Version 1

This data sheet is for the express and sole use of Fishman SmartDispenser® users and purchasers, and no portion of this manual may be reproduced in any form.

Fishman®, SmartDispenser®, Genius®, AirFree®, PosiLok™, FreeFlow™, SafeLok™, SurLok™, DripFree™, LDS9000® and ProcessControl2® are all trademarks of Fishman Corporation.

© 2014 Fishman Corporation

Fishman Corporation

192 South Street
Hopkinton, MA 01748
United States

www.fishmancorp.com

US & Canada: 800-433-2115

Worldwide: 1-508-435-2115

