

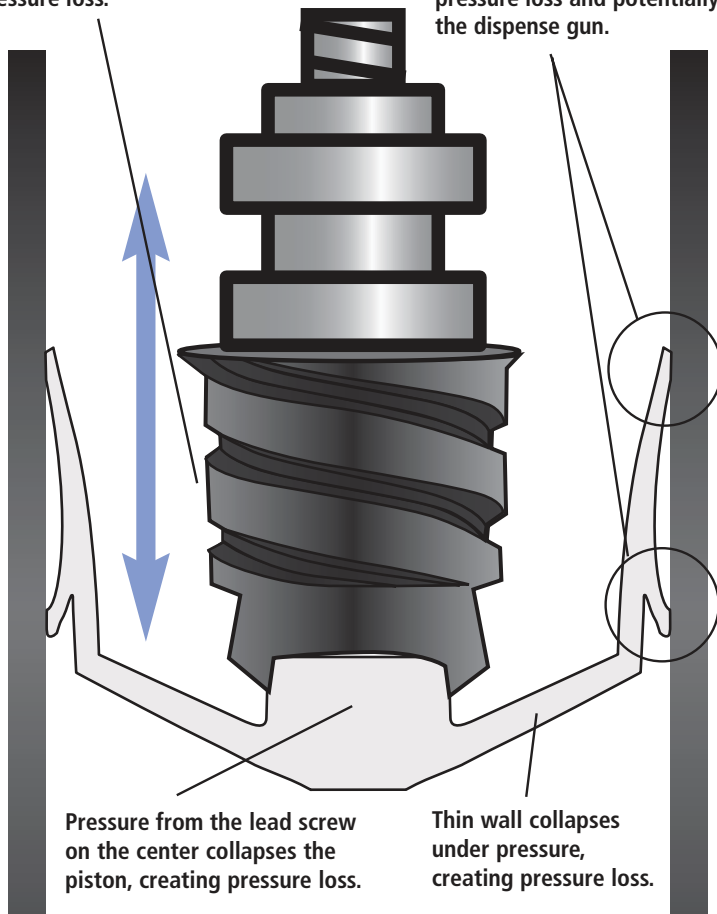
FISHMAN® Piston Comparison

Why competitors' air pistons cannot be used for AirFree™ dispensing.

Pressure loss destroys repeatability.

No interlocking connection between the piston and the drive rod. Piston slips during the dispense, creating pressure loss.

Light interference fit does not seal the chamber, thin wall flexes under pressure, allowing fluid to flow by—creating a pressure loss and potentially damaging the dispense gun.



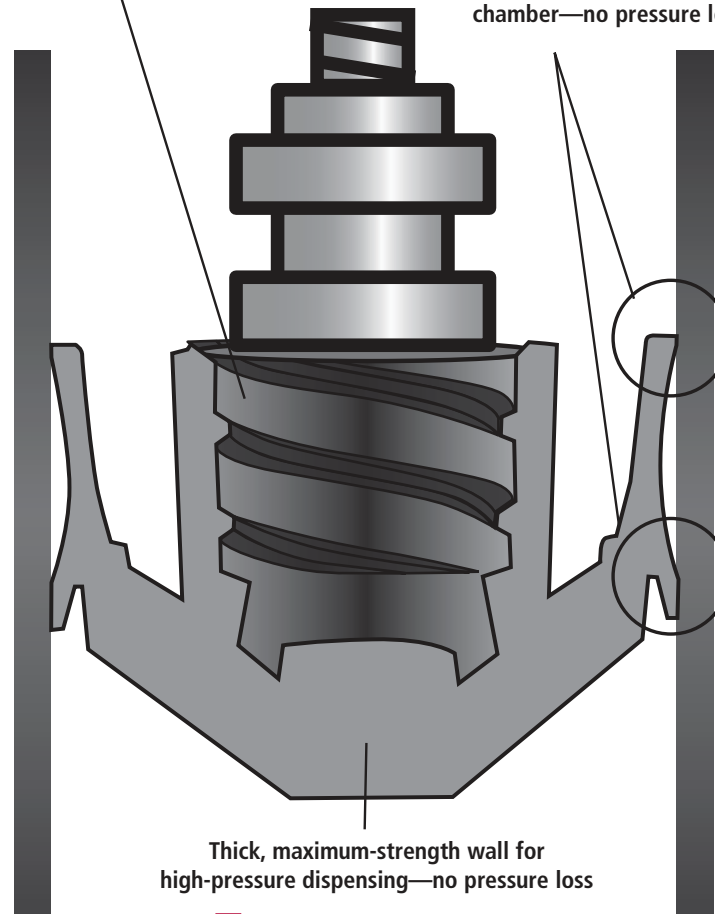
Pressure from the lead screw on the center collapses the piston, creating pressure loss.

Thin wall collapses under pressure, creating pressure loss.

The Competition's air piston

PosiLok™ industrial thread locks the piston to the drive rod guaranteeing no slippage during dispensing—no pressure loss.

Increased interference fit completely seals the chamber—no pressure loss.



Thick, maximum-strength wall for high-pressure dispensing—no pressure loss

The **FISHMAN**® PosiLok™ Piston

FISHMAN®

Dispensing Innovation™