

# AIRPULSE™ CARTRIDGE DISPENSE GUNS

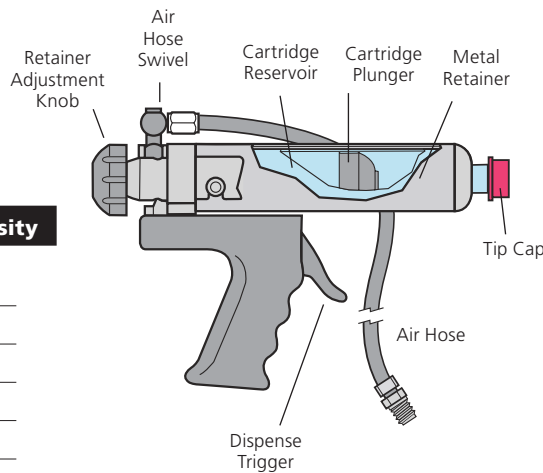
AirPulse™ cartridge dispense guns provide an ergonomically correct and efficient method to dispense fluid from a cartridge reservoir.

These pneumatic guns are designed for the rugged industrial manufacturing environment.

## AirPulse™ Dispense Gun Kits

Each gun comes with a retainer, gun handle, cartridge, plunger, end cap, hose with 1/4" NPT and tip cap and are ideal for "in the field" applications. Precision machined steel retainer provides safe dispensing up to 100 psi.

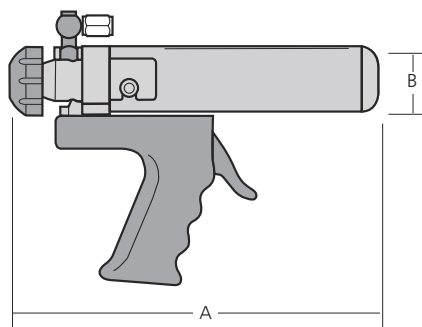
Part #	Size	Cartridge Density
6111022	1 oz	high
6211022	2.5 oz	high
6311022	6 oz	high
6411022	8 oz	high
6511022	10.6 oz	high
6611022	12 oz	high
6711022	20 oz	high
6811022	32 oz	high



## AirPulse™ Dispense Guns

Each gun comes with a retainer and gun handle and are ideal for "in the field" applications. Precision machined steel retainer provides safe dispensing up to 100 psi.

Part #	Size	A	B
2500152	1 oz	5-1/2"	1-3/8"
2502552	2.5 oz	5-3/4"	1-3/4"
2500652	6 oz	9"	1-3/4"
2500852	8 oz	10-3/4"	1-3/4"
2315512	10.6 oz	10-1/2"	2-1/4"
2501252	12 oz	14-1/4"	1-3/4"
2312182	20 oz	15-1/2"	3"
2336882	32 oz	19-1/2"	3"



## Disposable Cartridges

The cartridge reservoir is molded polyethylene. All parts are packaged individually.

Part #	Size
2203102	1 oz.
2202382	2.5, 6, 8, 12 oz.
2305022	10.6 oz.
2305862	20, 32 oz.
2323642	1 oz.
2202522	2.5, 6, 8, 12 oz.
2297562	10.6 oz.
2292212	20, 32 oz.
2332222	1 oz.
2203162	2.5 oz.
2203182	6 oz.
2203202	8 oz.
2296892	10.6 oz.
2203222	12 oz.
2297342	20 oz.
2329172	32 oz.
2344112	All Sizes
B020013	All Sizes

End Cap

Plunger

Cartridge

Tip Cap

Tip Adapter

(tip adapter shown above permits use with Luer Lock dispense tips)

### Nozzles

Polyethylene nozzles fit all cartridge sizes and have 1/4" NPT threads.

2205382	2.5 x .125
2205402	2.5 x .062
2205422	4.0 x .031
2205442	4.0 x .062