

# SmartDispenser®

## PENCIL GUN-CA – 3 & 5CC



**SmartDispenser®  
Pencil Gun 3 & 5cc**  
Use this model for dispense volumes between .00006 & 5cc, ideal for micro dot, micro bead dispensing and fiber optic connector filling. For use with industrial grade Genius® reservoirs

**Pencil Gun – 3 & 5cc**

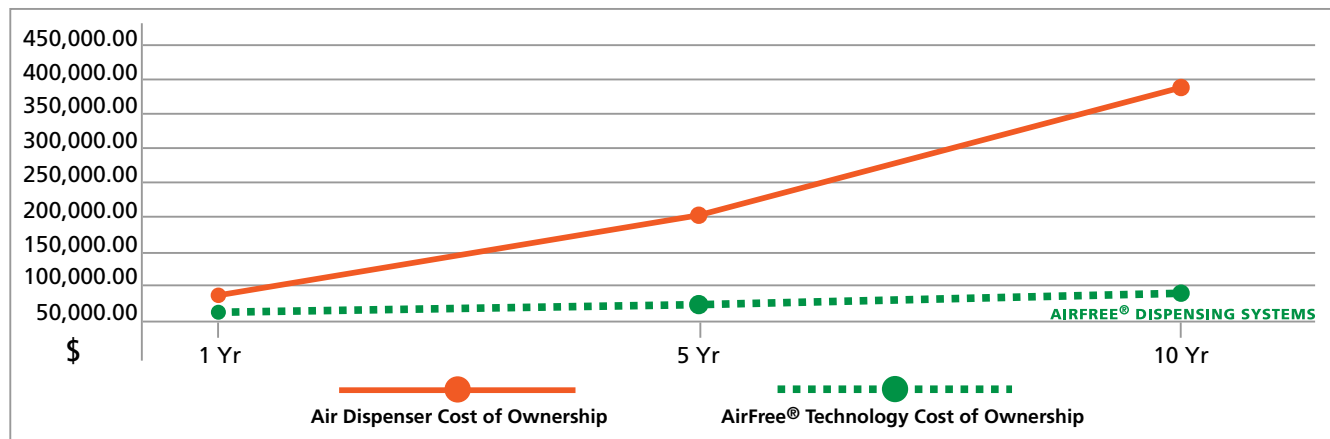
## AirFree® Technology & Cyanoacrylate

Traditional air pressure systems inject moisture filled air into the syringe reservoir activating the cyanoacrylate (CA) cure cycle. AirFree® technology eliminates moisture filled air from the dispensing process protecting the CA formulation. As a secondary safeguard Genius® CA components are made from proprietary plastics that inhibit CA bonding between components.

### Total Cost of Ownership

#### AirFree® Technology Adds Profits When Replacing Air Driven Systems

Cost of ownership, Air vs. AirFree®, one fluid dispenser



**Fishman Corporation** 192 South Street, Hopkinton, MA 01748, United States  
US & Canada: 800-433-2115 | Worldwide: 1-508-435-2115 | [www.fishmancorp.com](http://www.fishmancorp.com)

**FISHMAN®**  
Dispensing Innovation®

# SmartDispenser® PENCIL GUN-CA – 3 & 5CC

## Pencil Gun Micro Dot – Any Viscosity

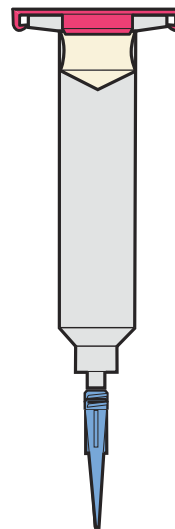
BARREL SIZE	3CC	5CC
MIN. VOL. (CC)	.00006	.00010
MAX. VOL. (CC)	3.00	5.00
MIN. RATE (CC/SEC)	.001	.002
MAX. RATE (CC/SEC)	.033	.058
MAX. BACKOFF (STEPS)	500	500
MAX. DELAY (SEC)	9.99	9.99



The SmartDispenser® Pencil Gun comes with 3 and 5 cc Retaining Rings.

## Genius® Cyanoacrylate Dispensing Components

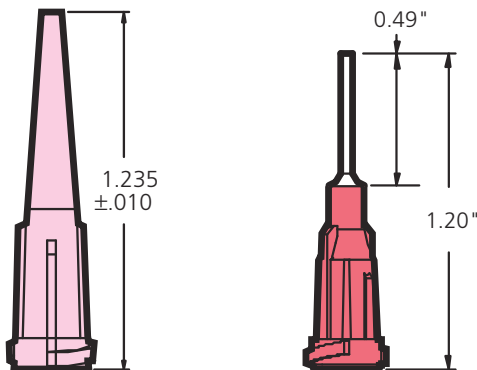
Genius® CA dispensing components are designed from a proprietary plastic that prevents the CA from bonding the syringe piston to the syringe barrel and the syringe tip cap to the syringe luer.



## Genius® CA FreeFlow™ Tips and Teflon® Tips

Genius® FreeFlow™ CA Tips and Teflon®\* Tips both prevent CA from clogging the tip during the fluid dispensing process.

\*Teflon is a registered trademark of the Dupont Corporation.



Fishman Corporation manufactures in a Certified Silicone-Free environment, achieving close tolerance precision in an industrial grade system. Contact our Fluid Dispensing specialists to take advantage of our experience with thousands of successful applications and to pick the right components for your specific application needs. For free samples, go to [www.fishmancorp.com/samples](http://www.fishmancorp.com/samples).

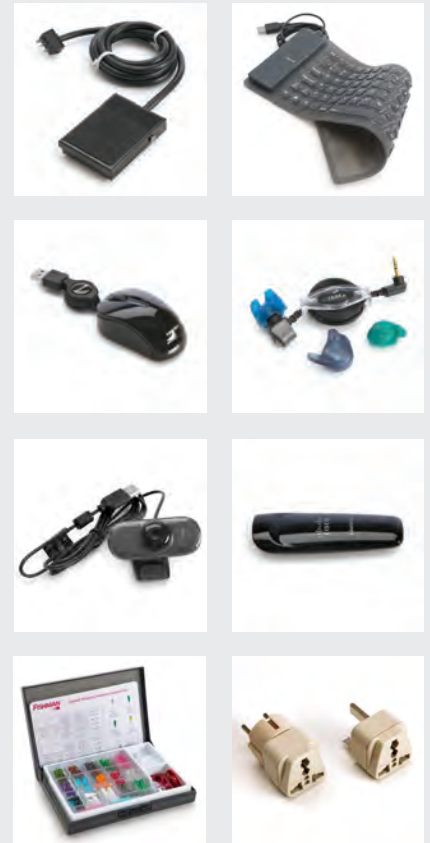
### PENCIL GUN SMARTDISPENSER® APPLICATIONS

Thick pastes	*
Thin watery fluids	*
Thin cyanoacrylates	x
Solder paste	*
Pre-mixed and frozen	*
Microdots	*
Bonding and gluing	*
Potting and filling	•
Beading and striping	*

\* Recommended • Satisfactory x Do not use

### SMARTDISPENSER® PENCIL GUN 3 & 5CC DISPENSE STARTER KIT CONTENTS

- Foot Pedal
- Keyboard
- Mouse
- Earphone
- Video Camera
- Cisco Wireless Connectivity Device
- Needle Kit
- Manuals
- Power Supply Connection
- Universal Power Supply



# SmartDispenser® PENCIL GUN-CA – 3 & 5cc



## SPECIFICATIONS

Usage:	Indoor use
Altitude:	Up to 2000m
Temperature:	0° to 40° C
Maximum Relative:	80% for temperatures up to 31° C decreasing linearly to
Humidity:	50% relative humidity at 40° C
Mains Supply	
Voltage Fluctuations:	Not to exceed ±10%
Installation	
Overvoltage:	Category II
Pollution:	Degree 2, Class 1
Input Voltage:	100-240 VAC 47-63Hz
Max Inrush Current:	3.2A-1.8A
Output Voltage:	5.0VDC
Output Power:	4.6W
Fuse Rating:	1.0A/250 VAC
Initiate Circuit:	Foot Pedal (dry contact) finger switch
Drive Motor:	15 Degrees
Gear Head:	64:1
Axial Movement:	.00003"/step
Control Circuitry:	CMOS microprocessor
Interface:	Touch Screen or Keyboard/Mouse
Minimum Dispense Volume:	.00006cc

## CONTROL UNIT

Size:	5.6 x 9.9 x 6.3in (14.23 x 25.15 x 16cm)
Weight:	4.7lbs (2.13 kg)

## GUN

Length:	5.12in (13.0cm)
Weight:	5.22oz (148gr)
Cable Length:	3 feet (91.5cm)

## What makes the SmartDispenser® so smart? The combination of 3 powerful platforms.

### AIR-FREE MANUFACTURING

- One program – worldwide
- Closed-loop feedback
- 6-10X more repeatable than pneumatics
- Volume base numeric dispensing
- Positive displacement via stepper motor
- Firmware proven for over a decade
- Eliminates expensive air compressor
- Designed to integrate into automation systems using PLCs

### WINDOWS 7 NETWORKING

- SD Device to MES System Networking
- Remote programming and lock out
- Real-time production data
- Live video feed
- Auto e-mail of unauthorized program changes
- On screen work instruction (audio option)
- Connectivity between SmartDispensers® Desktop, Laptop and Smartphone.
- Video/Audio training and tutorials

### SMARTPHONE FUNCTIONALITY

- Touch screen
- Finger gesturing controls
- MES Networking Apps
- Custom Manufacturing Apps
- Bar Code scanning Apps