

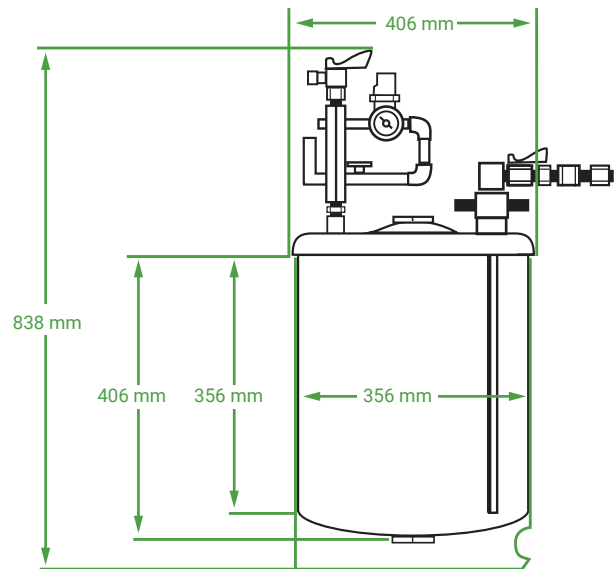
10 GALLON

## Stainless Steel Pressure Vessel Assembly



### Specifications

Part Number	M040221
Inside Dimensions	356 mm x 406 mm (14" diameter x 16" depth)
Outside Dimensions	406 mm x 838 mm (16" diameter x 33" high)
Pressure Tank Body Construction	304 stainless steel
Pressure Tank Lid Seal	Santoprene
Wetted Components	304 stainless steel, 316 stainless steel, polypropylene disposable liner
Maximum Tank Volume	37 liters (9.8 gallons)
Inline Material Filter	Standard 450 micron
Pressure Regulator	Standard 0-60 psi



**The Fishman® 10 Gallon Stainless Steel Pressure Vessel Assembly** has a fully removable lid, allowing material to be poured into the tank or for an entire bucket to be placed inside of it. A disposable polyethylene liner can also be inserted to keep the tank walls clean. Once the lid assembly is placed onto the tank, a series of clamps will hold it securely in place. For added convenience and safety, the Fishman® PV-10GL features quick connect fittings, and shutoff valves on the air inlet and fluid outlet.

### It offers many integrated features, including:

- UV safe, ASME certified enclosure
- 110 psi air safety relief valve
- Grounding wire
- 1" FNPT gravity feed port on the bottom of the tank

### It also is available with the following options:

- Material agitator, heating system, low level detection, vacuum assembly, and check valve for bottom of dip tube

For more information on Fishman's® many innovative fluid dispensing solutions, including the Fishman® Stainless Steel Pressure Vessel Assembly, please contact a sales representative at 800-433-2115.