

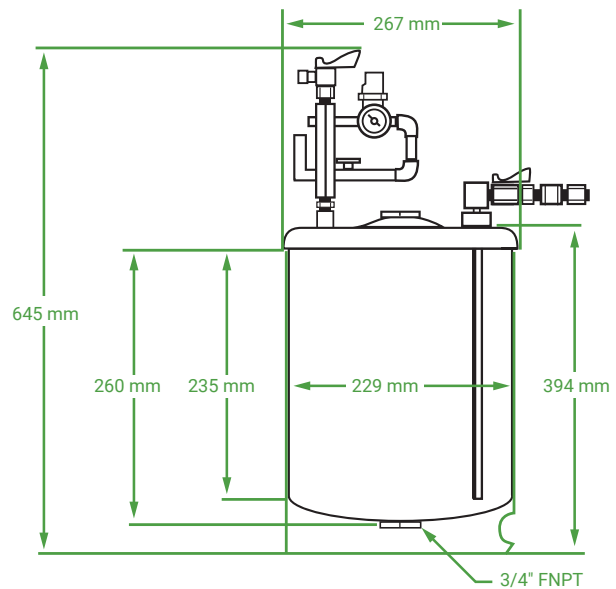
2 GALLON

Stainless Steel Pressure Vessel Assembly



Specifications

Part Number	M020221
Inside Dimensions	229 mm x 235 mm (9" diameter x 9.25" depth)
Outside Dimensions	267 mm x 645 mm (10.5" diameter x 25.4" high)
Pressure Tank Body Construction	304 stainless steel
Pressure Tank Lid Seal	Santoprene
Wetted Components	304 stainless steel, 316 stainless steel, polypropylene disposable liner
Maximum Tank Volume	7.5 liters (2 gallons)
Inline Material Filter	Standard 450 micron
Pressure Regulator	Standard 0-60 psi



For more information on Fishman's® many innovative fluid dispensing solutions, including the Fishman® Stainless Steel Pressure Vessel Assembly, please contact a sales representative at 800-433-2115.

The Fishman® 2 Gallon Stainless Steel Pressure Vessel Assembly has a fully removable lid, allowing material to be poured into the tank or for an entire bucket to be placed inside of it. A disposable polyethylene liner can also be inserted to keep the tank walls clean. Once the lid assembly is placed onto the tank, a series of clamps will hold it securely in place. For added convenience and safety, the Fishman® PV-2GL features quick connect fittings, and shutoff valves on the air inlet and fluid outlet.

It offers many integrated features, including:

- UV safe, ASME certified enclosure
- 110 psi air safety relief valve
- Grounding wire
- 3/4" FNPT gravity feed port on the bottom of the tank

It also is available with the following options:

- Material agitator, heating system, low level detection, vacuum assembly, and check valve for bottom of dip tube